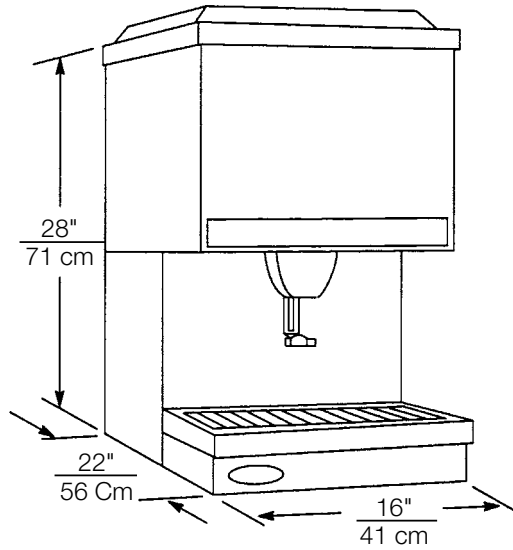




D45 shown with optional "Get Ice Here" decal

FEATURES

- Small footprint** – Takes up only 16" (406 mm) of counter space
- Intelligent** – Gravity ice dispensing with positive shut-off
- Large storage space** – D45 stores up to 45 lbs. of ice
- Easy to use** – Fully insulated one-piece thermoformed plastic storage hopper
- Drip tray** – Insulated drip tray
- Environmentally responsible** – Environmentally safe foam insulation
- Durable** – Stainless steel construction
- Merchandising** – D45 is available with optional "Get Ice Here" decal



PART NUMBER	DESCRIPTION
01601	D45 Ice dispenser, stainless steel exterior, lever activation
621058406	D45 Ice dispenser, stainless steel exterior, lever activation with "Get Ice Here" decal

TECHNICAL SPECIFICATIONS

ICE STORAGE CAPACITY D45: 45 lb (20 kg)

DRAIN CONNECTIONS D45: 0.75" (19 mm) ID

ELECTRICAL REQUIREMENTS . . 115 V / 60 Hz / 1 Amp

SHIPPING WEIGHT D45: 67 lb (31 kg)

ELECTRICAL CONNECTION 6' (1.82 M) power cord
with 125 V / 15 Amps
3 prong ground plug

AGENCY LISTINGS



City of Los Angeles

