

Coca-Cola

ENDURO 150
POST-MIX ICE DRINK DISPENSER



FEATURES:

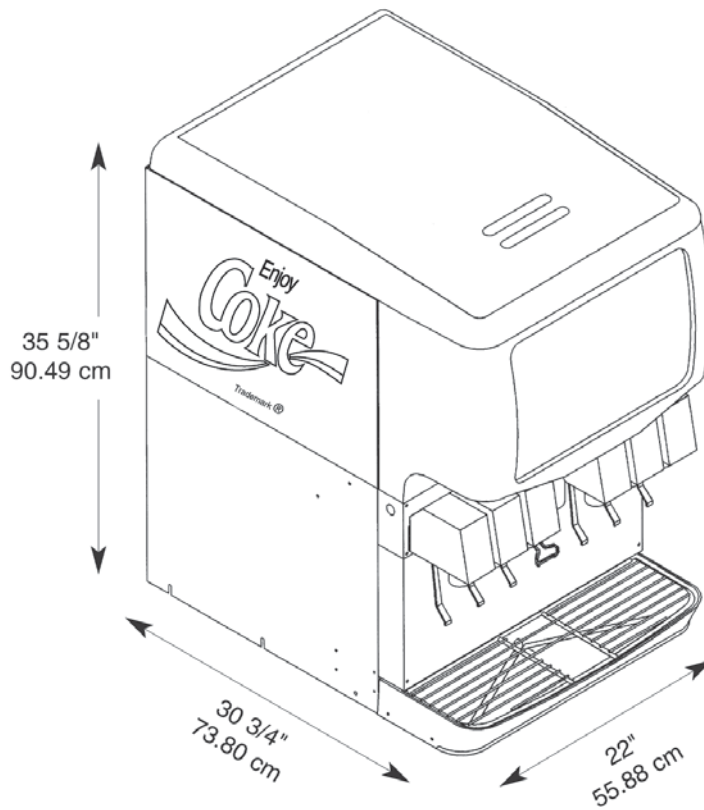
- Available with 6 SFV1™ self serve lever or push button post-mix valves
- Illuminated merchandiser delivers unique, high impact marketing message
- TotalFlex™ manifold easily changes from carbonated to non-carbonated
- Gravity ice dispensing with positive shut-off provides excellent ice targeting
- Ice used to cool cold plate is separate from the ice being dispensed into cups
- One piece ABS thermoformed plastic ice storage hopper. Durabide™ design provides durability and ensures all ice in the hopper is dispensable
- Unit readily accepts top mount cubers with manual ice fill capability
- High performance cold plate system delivers against peak demand



CATC8530-1111

Coca-Cola, Coca-Cola Classic and LEV are registered trademarks of the Coca-Cola Company.

ICE AND BEVERAGE



PART NUMBER	DESCRIPTION
621063057	Ice Drink Dispenser with 6 SFV1™ 3 oz self serve lever valves

TECHNICAL SPECIFICATIONS:

ICE STORAGE CAPACITY 150 lb (68.04 kg)
 BEVERAGE MANIFOLDING TotalFlex™
 CUP CLEARANCE 9.75" (24.80 cm)
 COOLING CAPACITY 10-12 oz drinks/min
 @ 75°F
 DRAIN CONNECTION 0.75" PVC (NPT) or 1" ID
 flexible tubing

GRAPHIC SIZE Overall:
 11.4"H x 16.6"W
 Viewable:
 10.608"H x 16.3"W
 ELECTRICAL RATING 115 V / 60 Hz / 3 Amps
 SHIPPING WEIGHT 240 lb (108.86 kg)

AGENCY LISTINGS   

