

*Coca-Cola*

**ENDURO 175**  
POST-MIX ICE DRINK DISPENSER



**FEATURES:**

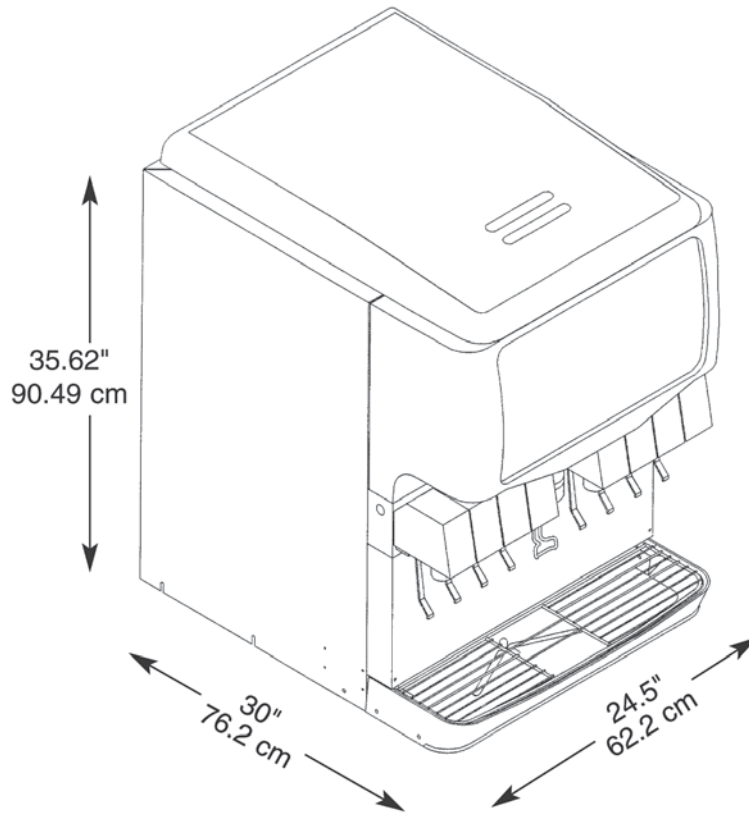
- Available with 8 LEV™ or SFV1™ self-serve lever or push button post-mix valves
- Illuminated merchandiser delivers unique, high impact marketing message
- Gravity ice dispensing with positive shut-off provides excellent ice targeting
- Ice used to cool cold plate is separate from ice dispensed into cups
- One piece ABS thermoformed plastic ice storage hopper (Durabide™ design) provides durability and ensures all ice in hopper is dispensable
- Unit readily accepts top mount cubers with manual ice fill capability
- High performance cold plate delivers against peak performance. High performance cold plate system delivers against peak demand
- TotalFlex™ manifold easily changes from carbonated or non-carbonated flavors



CATC8408-1111

Coca-Cola, Coca-Cola Classic and LEV are registered trademarks of the Coca-Cola Company.

**ICE AND BEVERAGE**



PART NUMBER	DESCRIPTION
621052712	Ice Drink Dispenser with 8 LEV™ 3 oz self serve lever valves
621052711	Ice Drink Dispenser with 8 LEV™ 3 oz push button valves
621063058	Ice Drink Dispenser with 8 SFV1™ 3 oz self serve lever valves
621063060	Ice Drink Dispenser with 8 SFV1™ 3 oz push button valves
3470	Ice Drink Stand for ED 175

## TECHNICAL SPECIFICATIONS:

ICE STORAGE CAPACITY . . . . . 175 lb (79.38 kg)

BEVERAGE MANIFOLDING . . . . . TotalFlex™

CUP CLEARANCE . . . . . 9.75" (24.76 cm)

COOLING CAPACITY . . . . . 10-12 oz drinks/min  
@ 75°F

DRAIN CONNECTION . . . . . 0.75" PVC (NPT) or 1" ID  
flexible tubing

GRAPHIC SIZE . . . . . Overall:  
11.083"H x 19.294"W  
Viewable:  
10.608"H x 18.67"W

STANDARD FEATURES . . . . . Key switch, 4" legs,  
timed agitation

ELECTRICAL RATING . . . . . 115 V / 60 Hz / 3 Amps

SHIPPING WEIGHT . . . . . 240 lb (108.86 kg)

AGENCY LISTINGS . . . . .

