

*Coca-Cola*

**ENDURO 250**  
POST-MIX ICE DRINK DISPENSER

Available with SFV1™ self serve lever or push button valves



**FEATURES:**

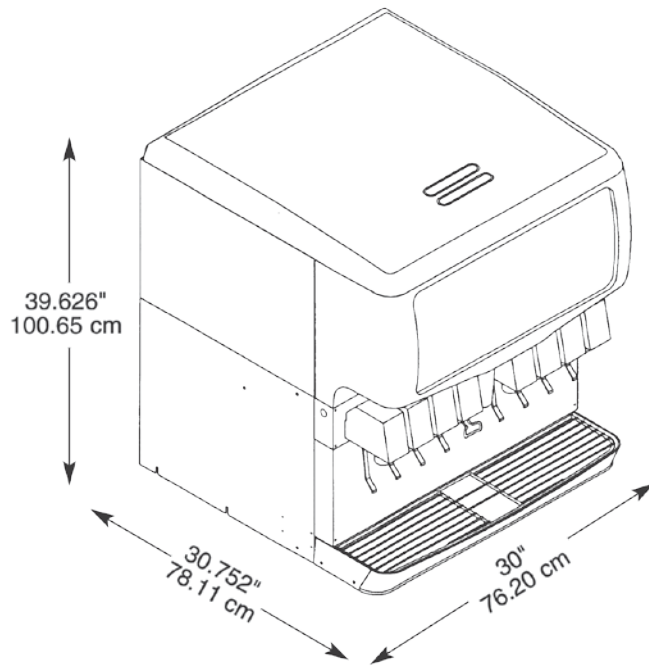
- Available with 8 or 10 LEV™ or SFV1™ self serve lever or push button post-mix valves
- Illuminated merchandiser delivers unique, high impact marketing message
- Gravity ice dispensing with positive shut-off provides excellent ice targeting
- Ice used to cool cold plate is separate from ice being dispensed into cups
- One piece ABS thermoformed plastic ice storage hopper (Durabide™ design) provides durability and ensures all ice in hopper is dispensable
- Unit readily accepts top mount cubers with manual ice fill capability
- High performance cold plate delivers against peak performance
- TotalFlex™ manifold easily changes from carbonated to non-carbonated



CATC8454-1111

Coca-Cola, Coca-Cola Classic and LEV are registered trademarks of the Coca-Cola Company.

**ICE AND BEVERAGE**



PART NUMBER	DESCRIPTION
05118	Ice Drink Dispenser with 8 LEV™ 3 oz self serve lever valves
0511812	Ice Drink Dispenser with 8 LEV™ 3 oz push button valves
621063065	Ice Drink Dispenser with 8 SFV1™ 3 oz self serve lever valves
621063067	Ice Drink Dispenser with 8 SFV1™ 3 oz push button valves
05119	Ice Drink Dispenser with 10 LEV™ 3 oz self serve lever valves
0511912	Ice Drink Dispenser with 10 LEV™ 3 oz push button valves
621053790	Ice Drink Dispenser with 10 SFV1™ 3 oz self serve lever valves
621053791	Ice Drink Dispenser with 10 SFV1™ 3 oz push button valves
3473	Ice Drink Dispenser Stand for ED 200 or ED 250

## TECHNICAL SPECIFICATIONS:

ICE STORAGE CAPACITY . . . . . 250 lb (113.40 kg)

BEVERAGE MANIFOLDING . . . . . TotalFlex™

CUP CLEARANCE . . . . . 10" (25.4 cm)

COOLING CAPACITY . . . . . 10-12 oz drinks/minute  
@75°F

DRAIN CONNECTION . . . . . 0.75" PVC (NPT) or 1" ID  
flexible tubing

GRAPHIC SIZE . . . . . Overall:  
15.083"H x 24.794"W  
Viewable:  
14.59"H x 24.17"W

STANDARD FEATURES . . . . . Key switch, 4" legs,  
timed agitation

ELECTRICAL RATING . . . . . 115 V / 60 Hz / 3.5 Amps

SHIPPING WEIGHT . . . . . 350 lb (158.76 kg)

AGENCY LISTINGS . . . . .

