



ENDURO 300 ICE DRINK DISPENSER



FEATURES:

- Illuminated merchandiser delivers unique, high impact marketing message
- Built-in cold carbonator produces bottle-quality drinks every time
- No seasonal CO₂ adjustments required for changes in water temperature
- A complete system for simplified installation reduces service frequency and lowers equipment life cost and generates increased beverage sales and greater consumer satisfaction
- Ice used to cool cold plate kept separate from ice dispensed into cups
- One piece ABS thermoformed plastic ice storage hopper. Durabide™ design provides durability and ensures all ice in the hopper is dispensable
- Unit readily accepts top mount cubers with manual ice fill capability
- Equipped with TotalFlex™

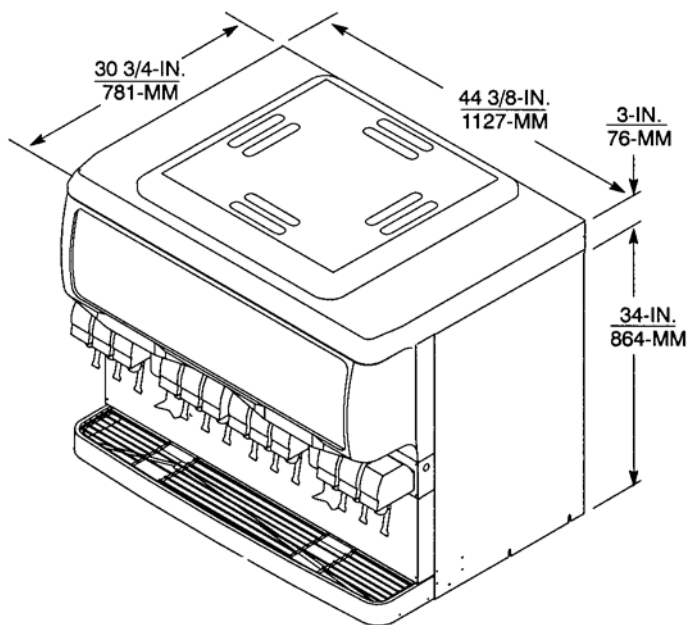


CATP8303-1111

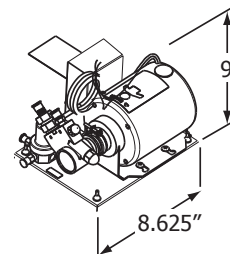
Pepsi and IntelliCarb are registered trademarks of Pepsi Co, Inc.



ICE & BEVERAGE



NOTE: PUMP & MOTOR ASSEMBLY
MUST BE POSITIONED WITHIN
8 FEET OF THE DISPENSER



PART NUMBER	DESCRIPTION
621053902	Enduro 300 IntelliCarb dispenser with 12 UFB-1™ 2-4 oz (59.2 - 118.3 mL) Sanitary Lever valves
621053901	Enduro 300 IntelliCarb dispenser with 12 UFB-1™ 2-4 oz (59.2 - 118.3 mL) Push Button valves
621052904	Enduro 300 IntelliCarb dispenser with 12 UFB-1™ 2-4 oz (59.2 - 118.3 mL) Optifill™ valves
08017	Leg Kit contains six 4" (102 mm) legs

Enduro 300 IntelliCarb unit includes timed ice agitation and beverage key switch. See price book for ice maker adapter kit. Order leg kit separately.

TECHNICAL SPECIFICATIONS:

TYPE OF VALVES UFB-1™ 2-4 oz / sec
post-mix

NUMBER OF VALVES 12

BEVERAGE MANIFOLDING: TotalFlex™

CUP CLEARANCE 10" (254 mm)

GRAPHIC DIMENSIONS Overall:
11.1"H x 39"W
Viewable:
10.2"H x 37.9"W




ICE STORAGE CAPACITY 300 lb (136 kg)

CONNECTIONS Water: 0.375" (9.5 mm)
Syrup: 0.375" (9.5 mm)

DRAIN SIZE 0.75" (19.1 mm) pvc (npt)
or 1" (25.4 mm) pvc (npt)
pipe or flexible tubing

ELECTRICAL REQUIREMENTS 120 V / 60 Hz / 5.2 Amps

SHIPPING WEIGHT 465 lb (211 kg)

AGENCY LISTINGS   
City of Los Angeles

