



ENDURO 300

POST-MIX ICE DRINK DISPENSER



FEATURES:

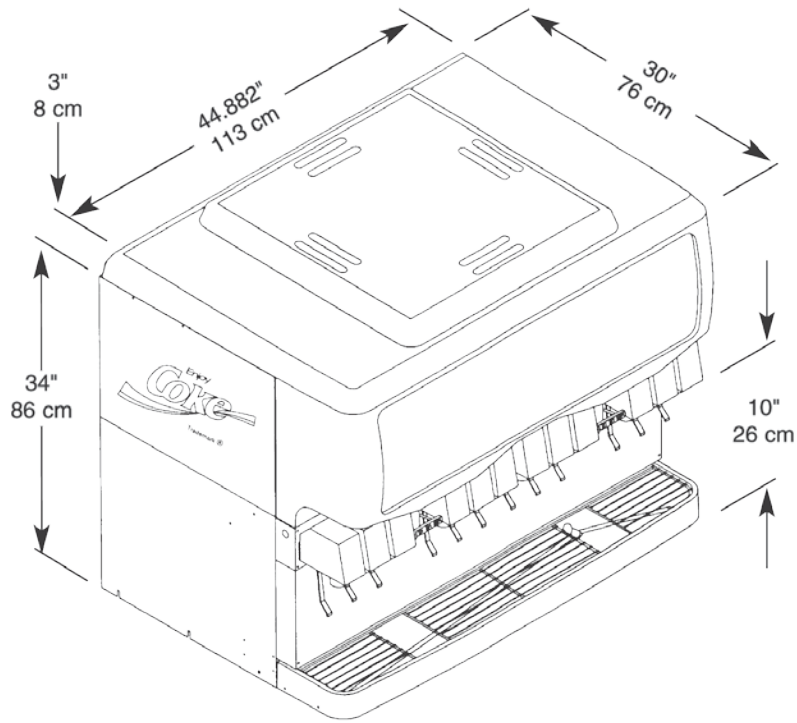
- Available with LEV™ or SFV1™ self serve or push button post-mix dispensing valves
- Illuminated merchandiser delivers unique, high impact marketing message
- Cold plate to valve manifolding design allows for any combination of carbonated or non-carbonated flavors
- Gravity ice dispensing with positive shut-off provides excellent ice targeting
- Ice used to cool cold plate is separate from ice being dispensed into cups
- One piece ABS thermoformed plastic ice storage hopper (Durabide™ design) provides durability and ensures all ice in hopper is dispensable
- High performance cold plate delivers against peak performance
- Unit readily accepts top mount cubers with front manual ice fill capability
- Unit includes two separate ice dispensing chutes



CATC8553-1111

Coca-Cola, Coca-Cola Classic and LEV are registered trademarks of the Coca-Cola Company.

ICE AND BEVERAGE



PART NUMBER	DESCRIPTION
02824	Ice Drink Dispenser with 8 LEV™ 3 oz self serve lever valves
02827	Ice Drink Dispenser with 8 LEV™ 3 oz push button valves
02818	Ice Drink Dispenser with 10 LEV™ 3 oz push button valves
02821	Ice Drink Dispenser with 10 LEV™ 3 oz push button valves
02812	Ice Drink Dispenser with 12 LEV™ 3 oz self serve lever valves
02815	Ice Drink Dispenser with 12 LEV™ 3 oz push button valves
621053773	Ice Drink Dispenser with 12 SFV1™ 3 oz self serve lever valves
621053774	Ice Drink Dispenser with 12 SFV1™ 3 oz push button valves
08017	Leg kit, includes (6) 4" legs

TECHNICAL SPECIFICATIONS:

BEVERAGE MANIFOLDING 8 Valve: 1-1-1-1-1-1-1-1
 10 Valve: 1-1-1-2-2-1-1-1
 12 Valve: 2-1-3-2-1-3
 (right to left)

CUP CLEARANCE 9.75" (24.77 cm)

COOLING CAPACITY 10-12 oz drinks/min
 @ 75°F

DRAIN CONNECTION 0.75" PVC (NPT) or 1" ID
 flexible tubing

GRAPHIC SIZE Overall:
 11.062"H x 38.985"W
 Viewable:
 10.249"H x 37.86"W

STANDARD FEATURES Key switch,
 timed agitation

ELECTRICAL RATING 115 V / 60 Hz / 5.2 Amps

SHIPPING WEIGHT 430 lb (195 kg)

AGENCY LISTINGS 