



FLAVOR OVERLOAD

POST-MIX ICE DRINK DISPENSER



LOWER KEYPAD
MEETS ADA ON
34" COUNTERS

FEATURES

Small footprint - 16 brands in a 30" footprint increases brand density

Variety - Customers have unlimited choices to create personalized drink

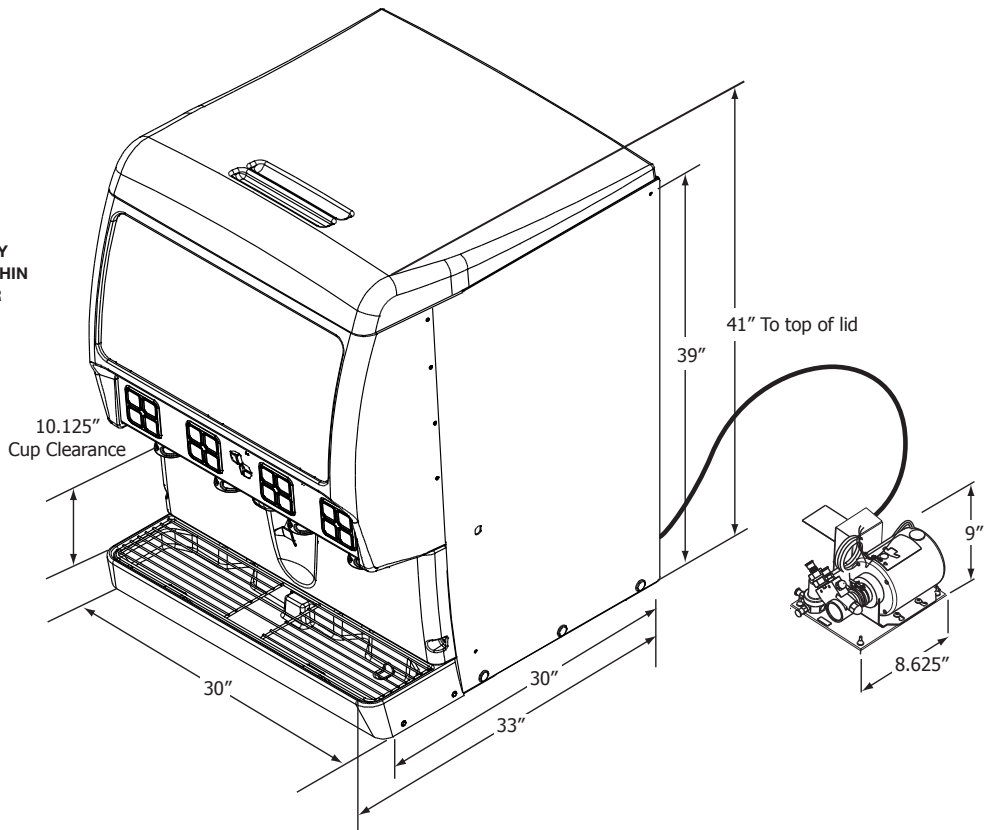
Total flexibility - Carbonated/non-carbonated drinks for each brand

ADA compliant - Meets ADA (Americans with Disabilities Act) guidelines

Quality - Cold carbonation provides consistent drink quality

Ease of use - Easy motor removal (does not require removal of ice from hopper or removal of top mounted ice maker)

NOTE: PUMP & MOTOR ASSEMBLY
MUST BE POSITIONED WITHIN
8 FEET OF THE DISPENSER



PART NUMBER	DESCRIPTION
621057636	Flavor Overload Midnight Black with ADA lower keypad

UNITS BELOW DO NOT HAVE LOWER KEYPAD TO MEET ADA GUIDELINES

PART NUMBER	DESCRIPTION
621057660	Flavor Overload Midnight Black

* If top mounting an ice maker, an ice maker adapter kit is required. Order separately.

TECHNICAL SPECIFICATIONS

DIMENSIONS 41"H x 30"W x 30"D
 GRAPHIC SIZE (template available)
 COUNTER WEIGHT..... 320 lb (plus ice weight)
 SHIPPING WEIGHT..... 365 lb
 CAPACITY 255 lb ice bin capacity
 for cubed & chunklet
 (compressed) ice
 AMP DRAW 120 V / 60 Hz / 9.3 Amps
 ELECTRICAL RATING..... 115 V +/- 10% (only
 requires single outlet)
 WATER SUPPLY PRESSURE 50-60 psi at pump

STANDARD FEATURES..... Timed agitation,
 beverage keyswitch
 and 4" legs
 CO₂ 75 psi at carbonator tank
 16 BRAND SYRUPS:
 (14 CHILLED / 2 AMBIENT)..... 60 psi/min
 VALVE OPTIONS 16 push button brands
 2-4 oz/sec valves
 CUP CLEARANCE..... 10.125"
 AGENCY LISTINGS
 PENDING APPROVAL.....



City of Los Angeles

