



ICE DRINK DISPENSER STANDS

FOR ENDURO, DURAFLEX, AND IDC DISPENSERS

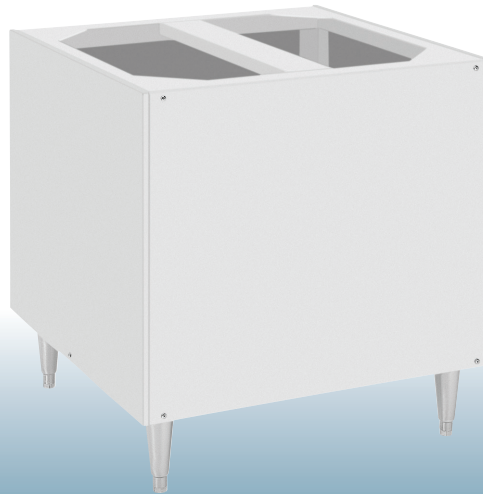
ENDURO/DURAFLEX 150 STAND



ENDURO/DURAFLEX 175 STAND



ENDURO/DURAFLEX 200/250
IDC 215/255 STAND



FEATURES

Durability - Stainless steel construction

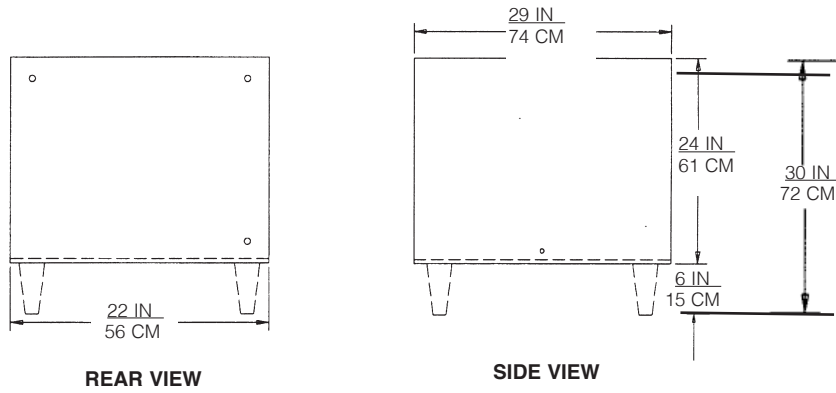
Adjustable - Includes 6" legs

Load-bearing - Will accommodate 1 ice drink dispenser and 1 top mount ice maker

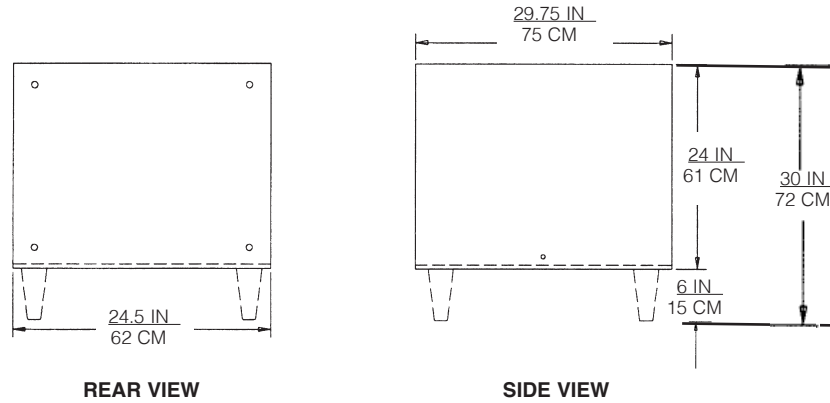
Ease of use - Easy to remove front and rear panels

Secure - Includes bolts to secure dispenser to stand

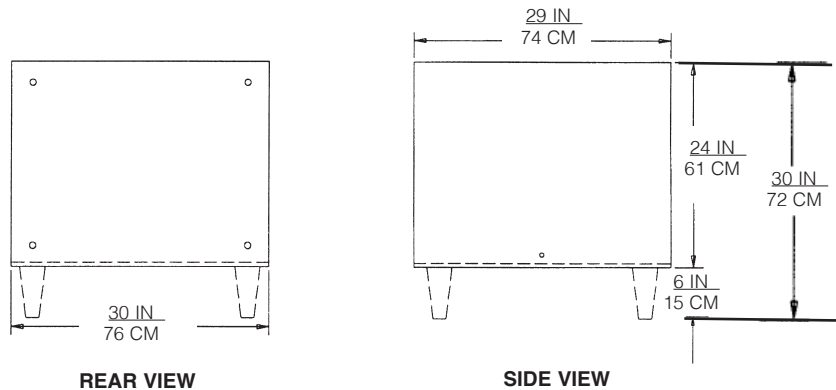
Duraflex/Enduro 150



Duraflex/Enduro 175



Duraflex/Enduro 200/250 IDC 215/255



PART NUMBER	DESCRIPTION
3472	Duraflex/Enduro 150 ice drink dispenser stand with 6" legs
3470	Duraflex/Enduro 175 ice drink dispenser stand with 6" legs
3473	Duraflex/Enduro 200/250 and IDC 215/255 ice drink dispenser stand with 6" legs
569200457	Duraflex/Enduro 150 ice drink dispenser stand with 4" casters
569200458	Duraflex/Enduro 175 ice drink dispenser stand with 4" casters
569200456	Duraflex/Enduro 200/250 and IDC 215/255 ice drink dispenser stand with 4" casters

TECHNICAL SPECIFICATIONS

SHIPPING WEIGHT 3472: 82 lb (37.2 kg)
 3470: 100 lb (45.4 kg)
 3473: 120 lb (54.4 kg)



IN THE U.S.A.
 Ph: 800.238.3600
 Fax: 800.258.0255

OUTSIDE THE U.S.A.
 Ph: 763.488.8200
 Email: webmaster@cornelius.com

101 Broadway Street West
 Osseo, MN 55369
 www.cornelius-usa.com