



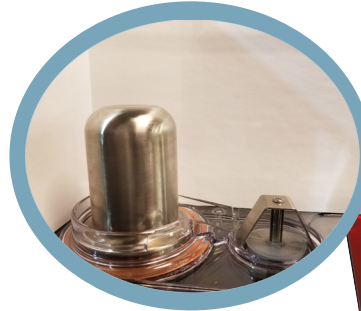
JETSPRAY™ MODEL JT20

2 FLAVOR

VISUAL DISPLAY DISPENSER



JT20 (White, shown)
621058433 (Black)



Premium Model features paddle agitation system for heavy pulp, wipe clean domed evaporator, fewer parts to clean and black cladding.



JT20D

FEATURES

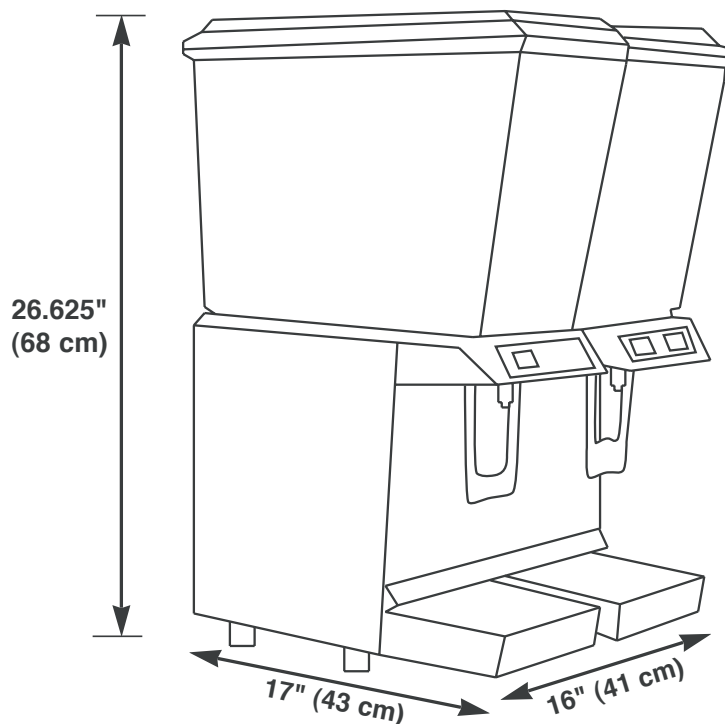
Boost Sales - Visual display dispensing system creates impulse sales

Flexibility - Choice of Standard or Premium models
Interchangeable 3 (11 L) and 5 (19 L) gallon bowls mix and match to meet variable product demand

Options - Unique pinch tube system reliably dispenses all types of beverages, including those with heavy pulp

No downtime - any one bowl can be removed and sanitized while the other bowl continues to dispense

Ease of use - Easy cleaning and maintenance



PART NUMBER	DESCRIPTION
JT20	Cold Beverage Dispenser JT20 Visual Two Bowl, 5 Gal Spray Type White Cladding, 115V / 60Hz
621058433	Cold Beverage Dispenser JT20 Visual Two Bowl, 5 Gal Spray Type Black Cladding, 115V / 60Hz
JT20D	Cold Beverage Dispenser JT20D Premium Visual Two Bowl, 5 Gal Paddle Agitation (no spray), Domed Evaporator, Black Cladding, 115V / 60Hz
A1620	Circulator Kit for Foamy Products
S6737	Circulator Kit for Pulpy Products

TECHNICAL SPECIFICATIONS

CABINETY White plastic (Standard),
Black plastic (Premium)
and stainless steel

BEVERAGE BOWL & COVER Transparent, virtually
unbreakable LEXAN®
resin, with US gallon
and liter markings

SHORT BOWL OPTION 3 gal: 23 5/8"H
ON STANDARD BASE 5 gal: 26 5/8"H

BEVERAGE CAPACITY Large Bowl: ~10 gal (38 L)
Small Bowl: ~6 gal (22.8 L)

CUP CLEARANCE 9"

REFRIGERATION Jet Spray 1/5 HP
hermetically sealed
system R134a

PACKAGING Packed in 3 cartons,
1 for base and 2 for bowls

NET WEIGHT JT Series: 52 lb (23.6 kg)

SHIPPING WEIGHT JT Series: 62 lb (28.2 kg)

AGENCY LISTINGS

